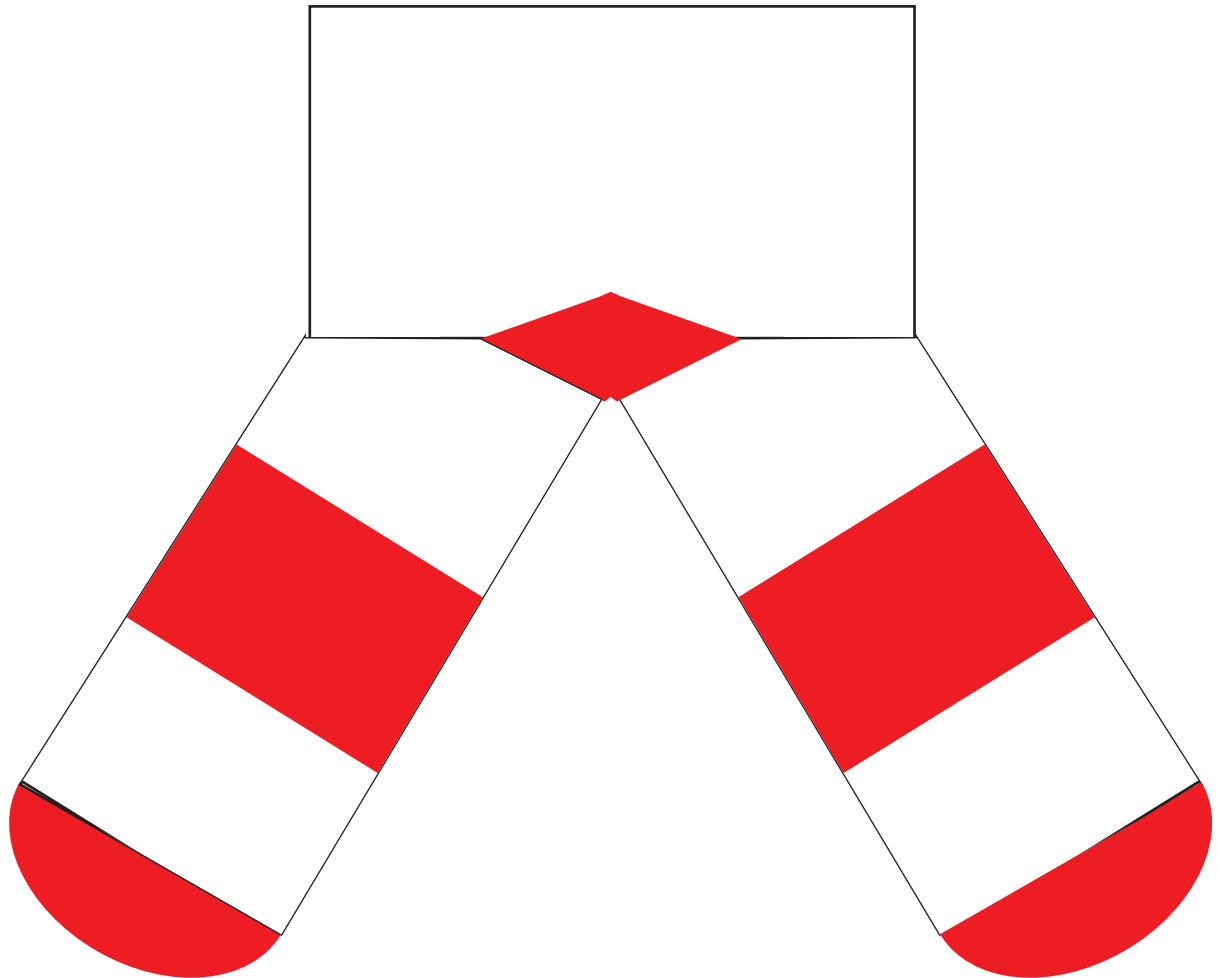


PERFORMANCE SOCK - MIDI

Artwork Layout

NOTE: ART SHOWN AT 50%
SOCK SIZE: AI: 9cm, AFT: 20cm
D: 8.5cm, DFR: 8.5cm
CUFF SIZE: 1.70cm H

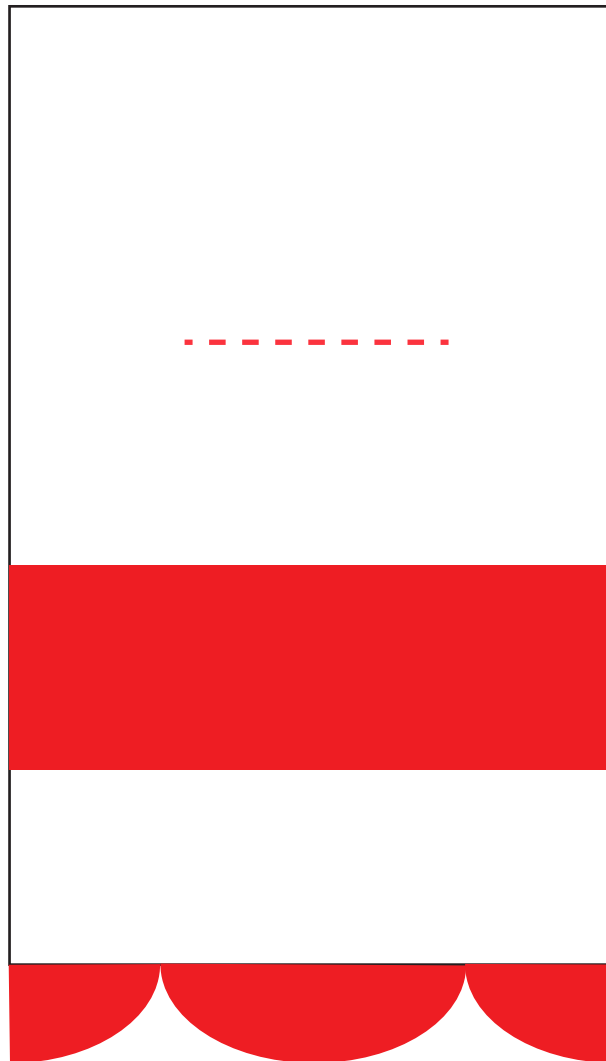


*Area in RED is not printable.

PERFORMANCE SOCK - MIDI

Flat Layout

NOTE: ART SHOWN AT 50%



*Area in RED is not printable.

**Dotted line shows where the heel is placed in the design.
Make sure all full art is above of below that line.

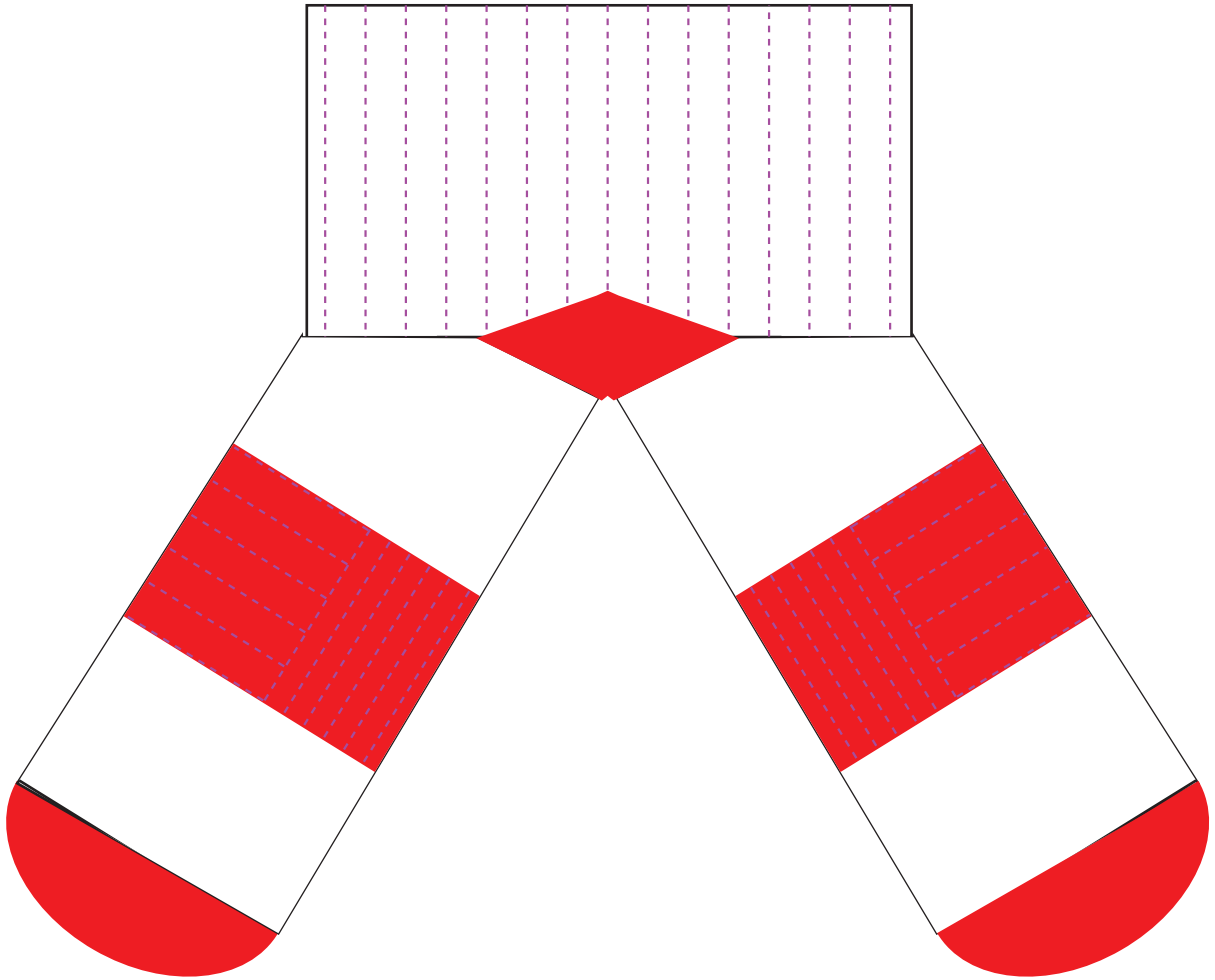
PSM.20.1

PERFORMANCE SOCK - MIDI

Ribbing Layout

NOTE: ART SHOWN AT 50%

----- Ribbing



*Area in RED is not printable.

PERFORMANCE SOCK - MIDI

HOW TO USE

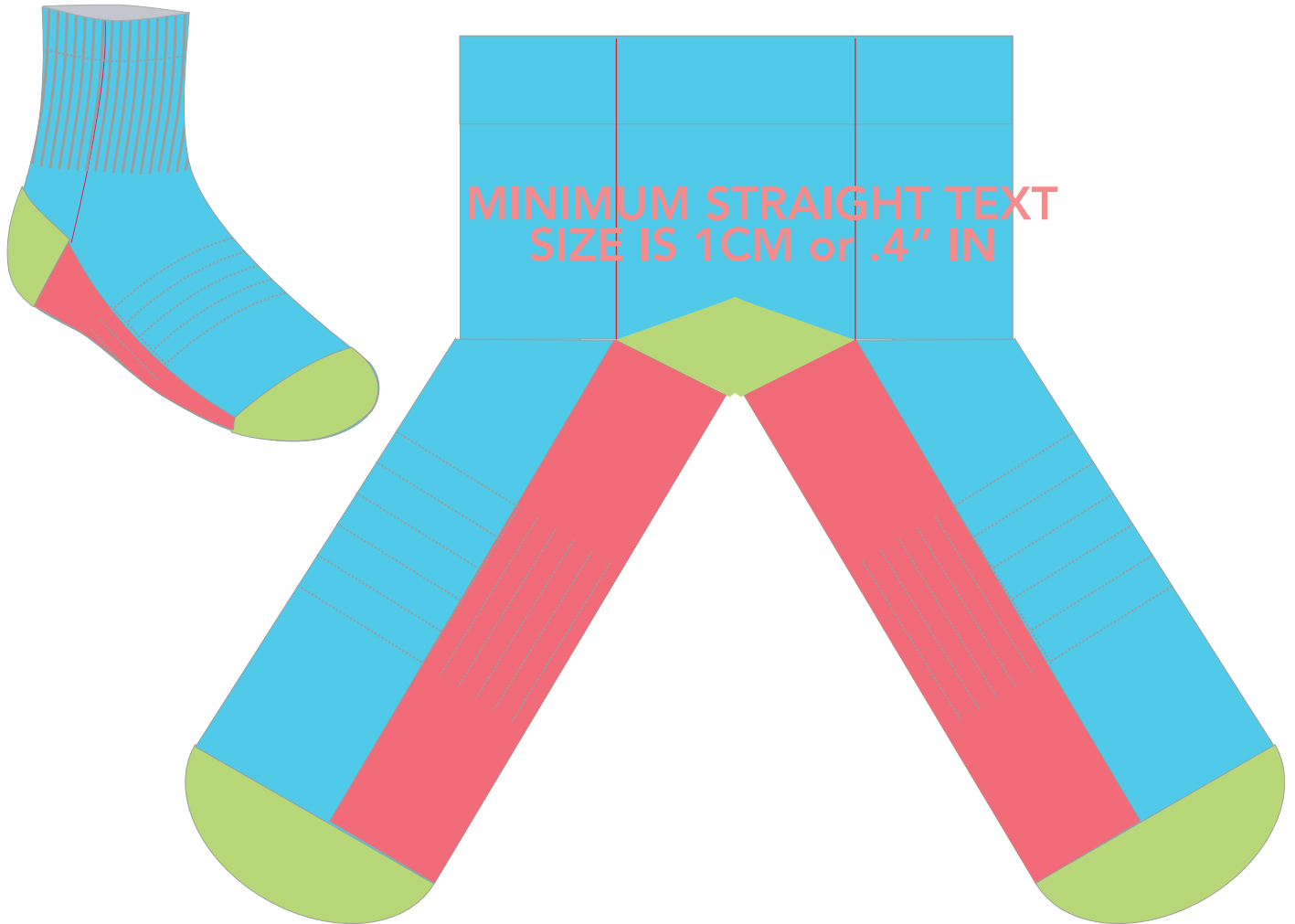
1. Use the reference sock to understand what each part of the template represents.
2. Please ensure your design is continuous around the entire sock. Keep in mind the sock is a tube.
3. Please limit your design to 6 total colors (3 PMS matched, 3 closest matches)
NOTE: Toe, heel and cuff colors are included in the 6 colors.
4. Use the guide in the reference sock and template to ensure your designs meet minimum text and line size.
 - All text that is straight must be at least .4" IN or 1 CM in height.
 - Diagonal text must be a minimum of .6" IN or 1.5 CM in height.
 - Lines must be at least .062" IN or .15 CM in width.
5. The toes and heel cannot be printed on.
6. The cuff can be printed, however, more spandex is used in the knitting process in the cuff which results in some distortion of any printing within it.
7. The arch support can be a solid color, but cannot be printed on.

PERFORMANCE SOCK - MIDI

REFERENCE GUIDE

NOTE: ART SHOWN AT 50%

SOCK FOR TEMPLATE PLACEMENT REFERENCE ONLY
DO NOT DESIGN IN THIS SOCK

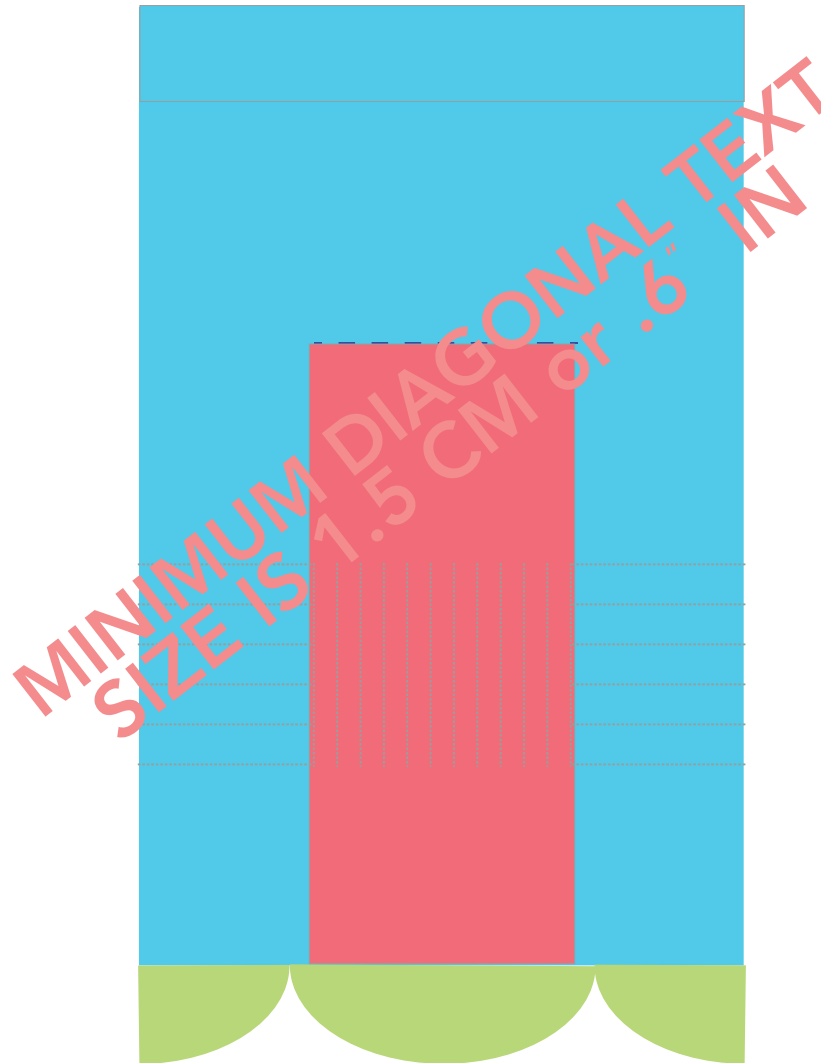
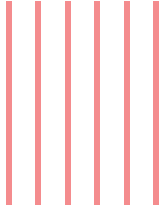


PERFORMANCE SOCK - MIDI

REFERENCE GUIDE

NOTE: ART SHOWN AT 50%

MINIMUM LINE SIZE IS .15 CM or .062" IN
USE THESE LINES AS GUIDES



WOVEN CUFF TAG

Artwork Layout

NOTE: ART SHOWN AT 100%

Tag Size: 0.77"W x 1.96"H

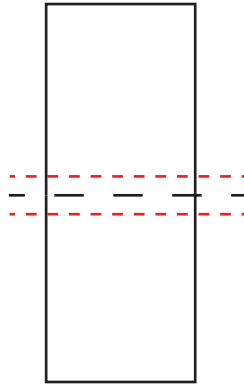
Folded at: 0.98"

NOTE: ALL COLORS ARE CLOSEST MATCH

Artwork must be above or below bleed line

— — — — — BLACK DOTTED LINE MARKS FOLD LINE

----- RED DOTTED LINE MARKS BLEED LINE

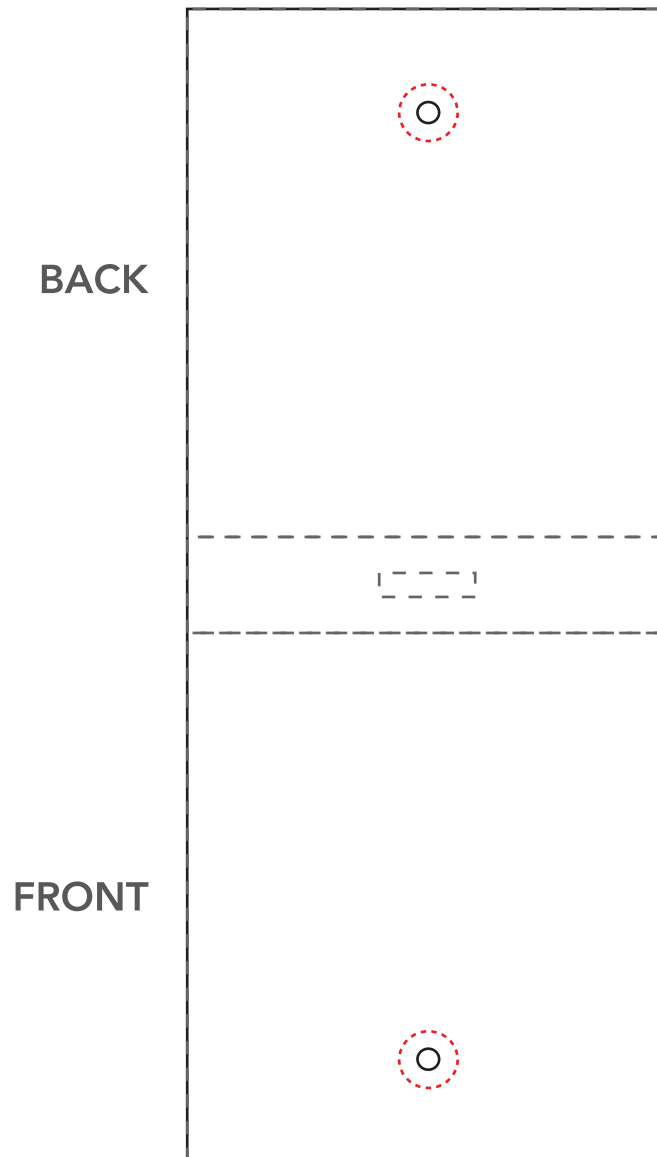


HANG TAG

Artwork Layout

NOTE: ART SHOWN AT 100%
Final Dimensions: 2.5" W X 6" H

----- Hole punch margin area
- - - - Gray line marks Fold lines
300gsm weight

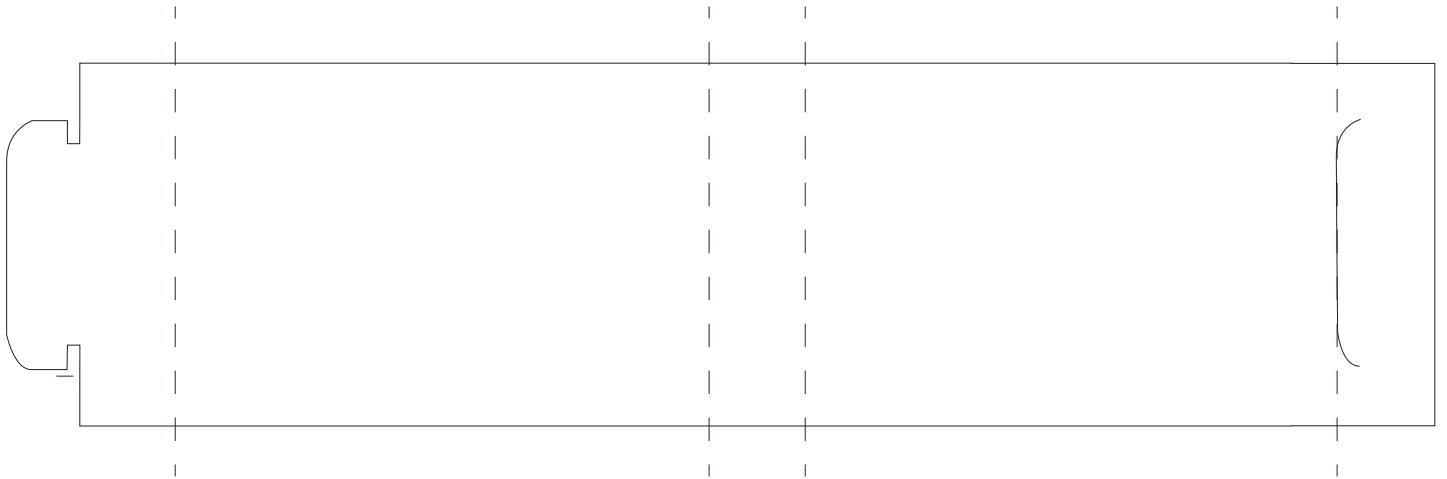


WRAP TAG

Artwork Layout

NOTE: ART SHOWN AT 75%

— — — BLACK DOTTED LINE MARKS FOLD LINE

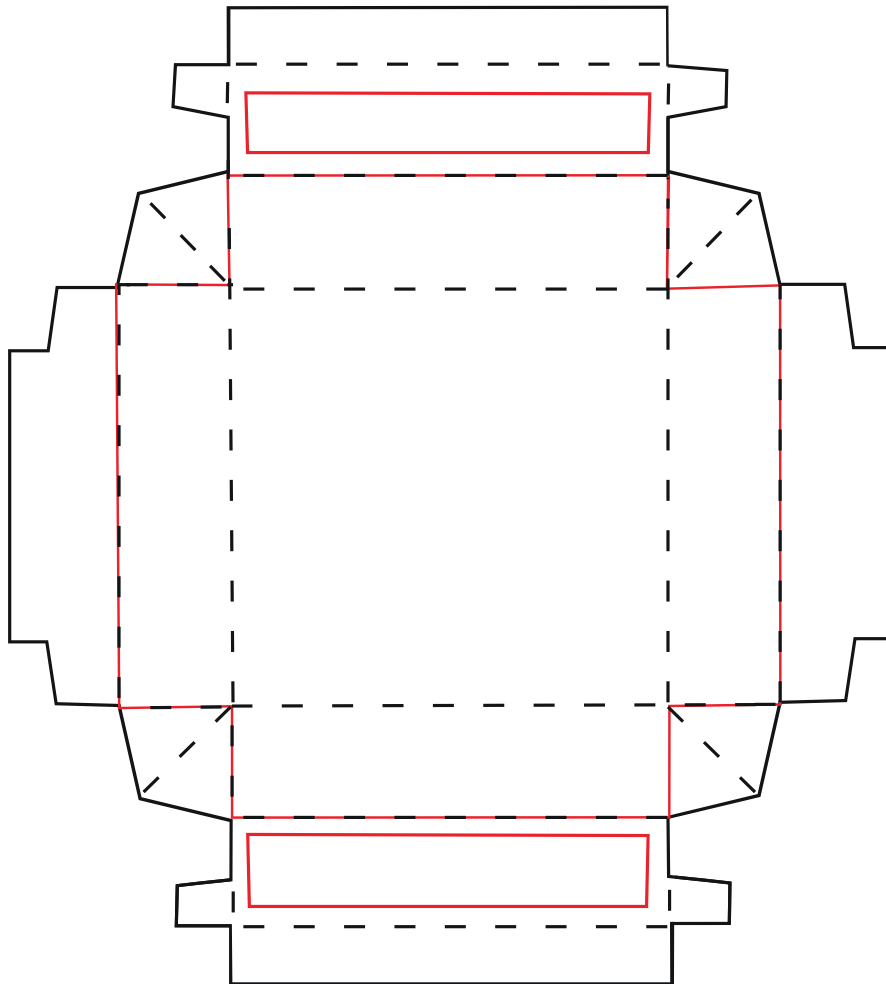


SOCK BOX - TOP

Artwork Layout

NOTE: ART SHOWN AT 50%

— — BLACK DOTTED LINE MARKS FOLD LINE
— — SOLID RED LINE MARKS BLEED LINE

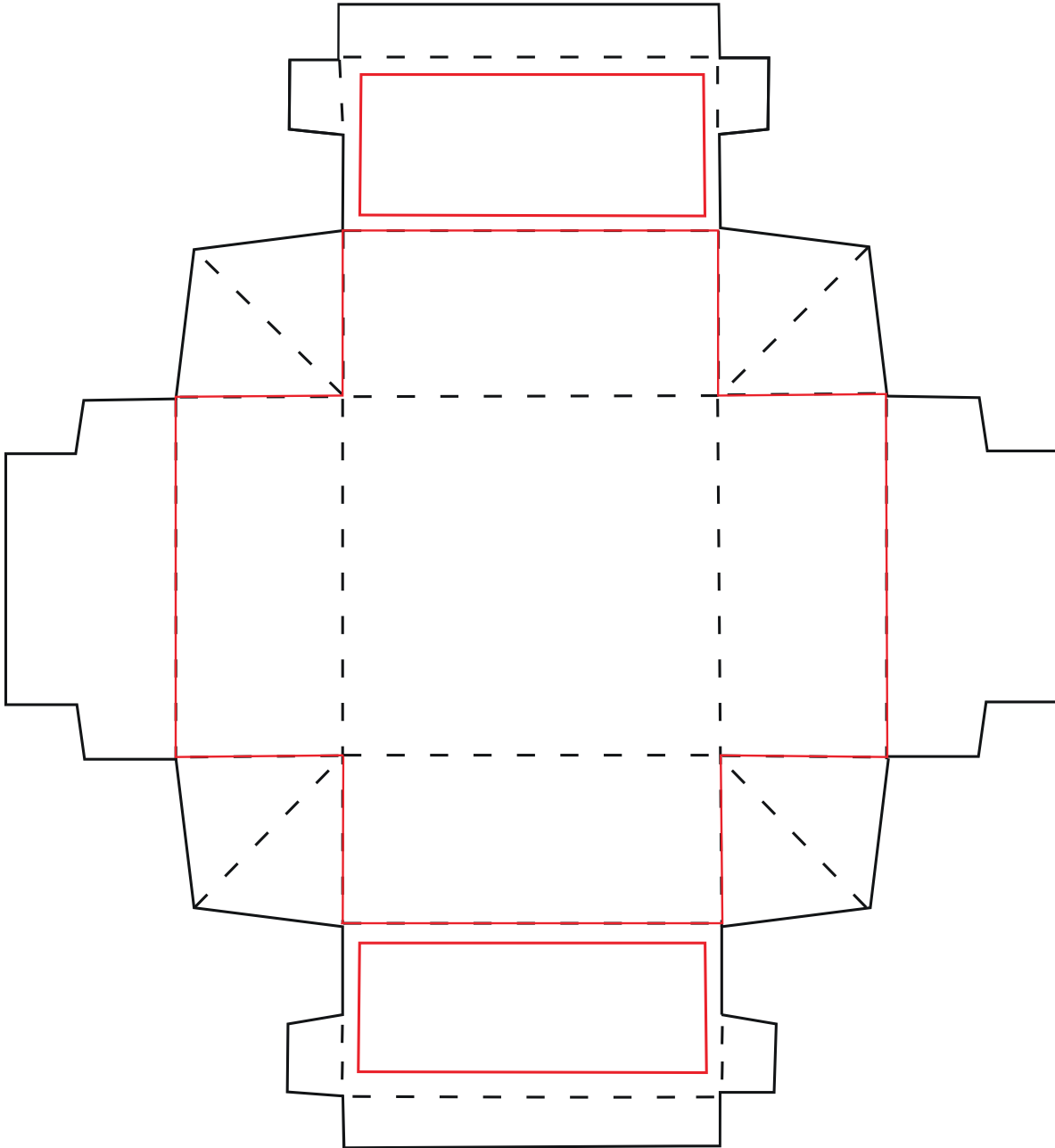


SOCK BOX BOTTOM

Artwork Layout

NOTE: ART SHOWN AT 50%

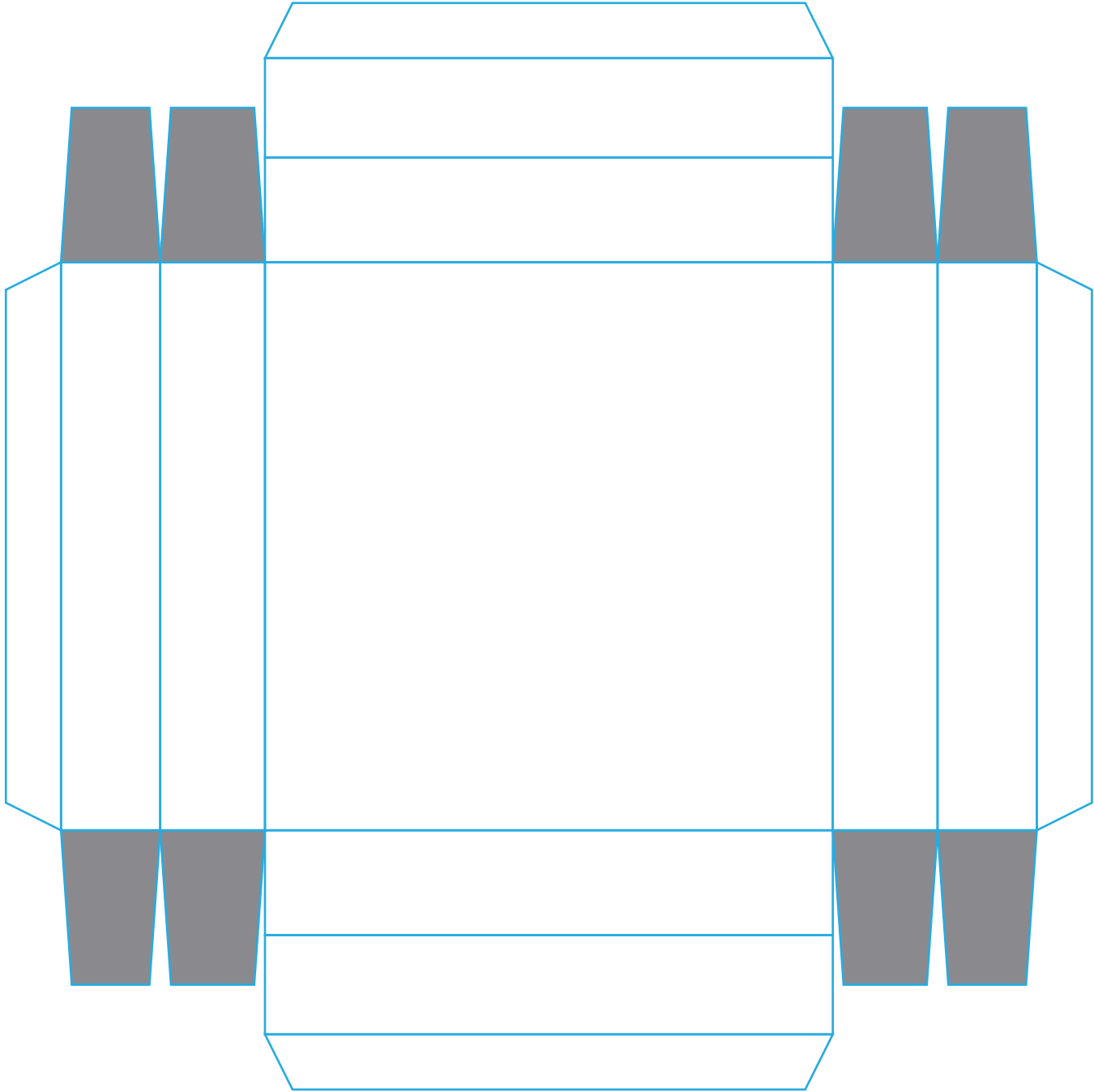
— — BLACK DOTTED LINE MARKS FOLD LINE
— — SOLID RED LINE MARKS BLEED LINE



SINGLE SOCK BOX - TOP

Artwork Layout

NOTE: ART SHOWN AT 100%

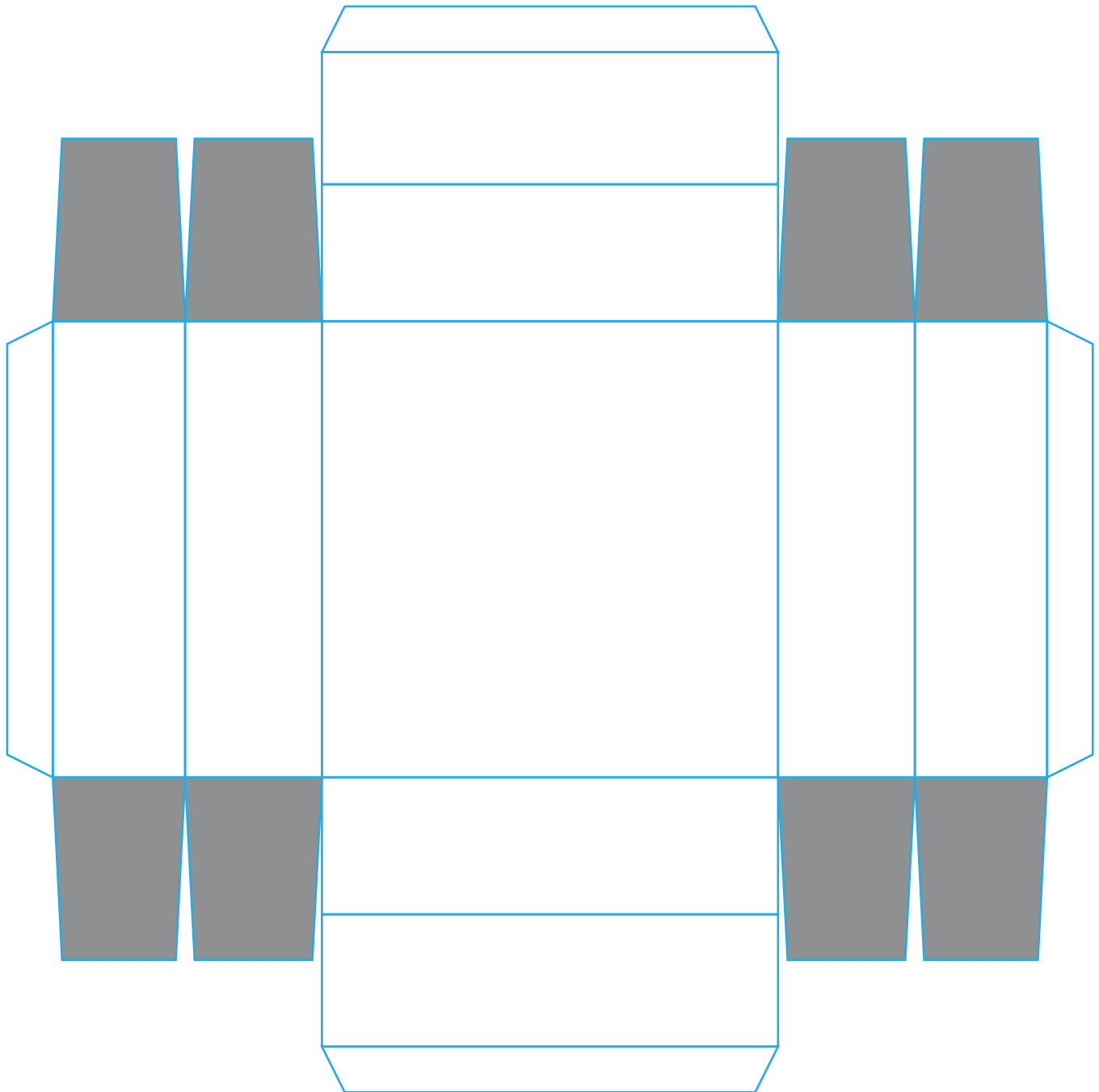


**DUE TO THE CONSTRUCTION OF THE BOX,
AREAS IN GREY WILL NOT BE VISIBLE**

SINGLE SOCK BOX - BOTTOM

Artwork Layout

NOTE: ART SHOWN AT 100%



**DUE TO THE CONSTRUCTION OF THE BOX,
AREAS IN GREY WILL NOT BE VISABLE**

PSM.20.1